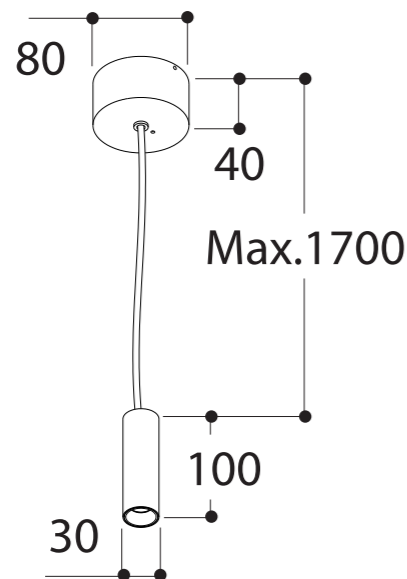


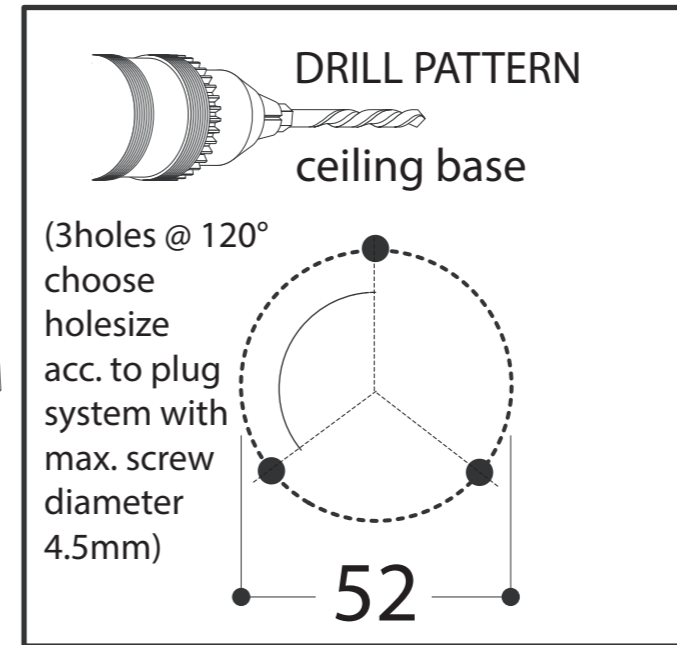
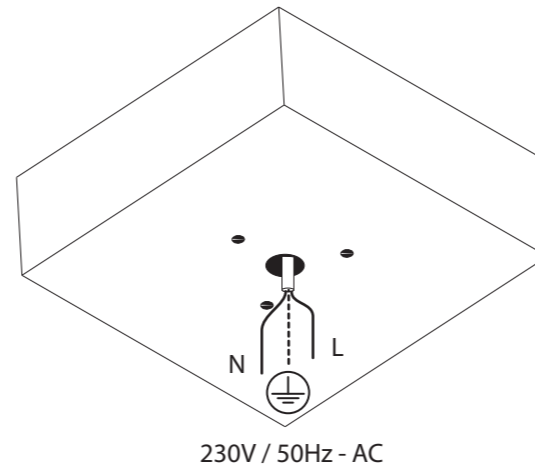
name NOBEL CI

- ref 408120 NOBEL 2700K 36° CI CHROME - BLACK MAINSCORD
 408126 NOBEL 2700K 36° CI TEXT BLACK - RED MAINSCORD
 408102 NOBEL 2700K 36° CI TEXT BLACK - BLACK MAINSCORD
 408196 NOBEL 2700K 36° CI TEXT BLACK + GOLD - BLACK MAINSCORD
 408134 NOBEL 2700K 36° CI TEXT WHITE - RED MAINSCORD
 408194 NOBEL 2700K 36° CI TEXT WHITE + BLACK FOCUS - BLACK MAINSCORD
 408127 NOBEL 2700K 36° CI TEXT RED - RED MAINSCORD
 408157 NOBEL 2700K 36° CI CU29+BLACK FOCUS - BLACK MAINSCORD
 408113 NOBEL 2700K 36° CI GOLD 24K+BLACK FOCUS - BLACK MAINSCORD

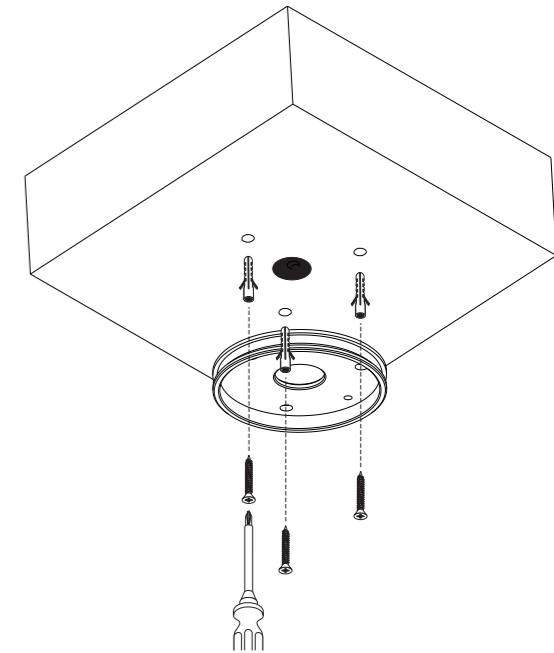
- 408110 NOBEL 3000K 36° CI CHROME - BLACK MAINSCORD
 408116 NOBEL 3000K 36° CI TEXT BLACK - RED MAINSCORD
 408112 NOBEL 3000K 36° CI TEXT BLACK - BLACK MAINSCORD
 408186 NOBEL 3000K 36° CI TEXT BLACK + GOLD - BLACK MAINSCORD
 408124 NOBEL 3000K 36° CI TEXT WHITE - RED MAINSCORD
 408184 NOBEL 3000K 36° CI TEXT WHITE + BLACK FOCUS - BLACK MAINSCORD
 408117 NOBEL 3000K 36° CI TEXT RED - RED MAINSCORD
 408147 NOBEL 3000K 36° CI CU29+BLACK FOCUS - BLACK MAINSCORD
 408103 NOBEL 3000K 36° CI GOLD 24K+BLACK FOCUS - BLACK MAINSCORD



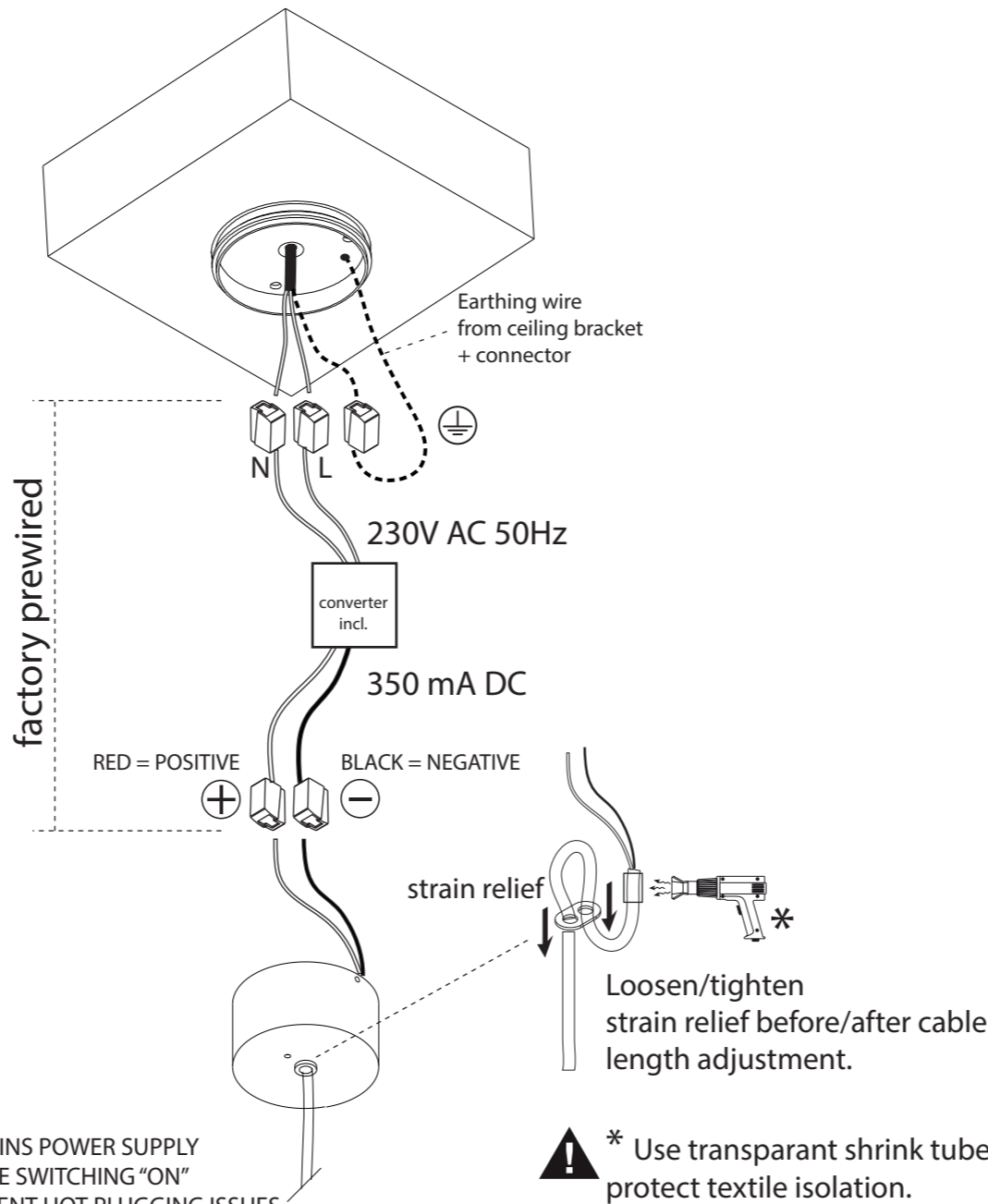
① Make drillpattern in ceiling



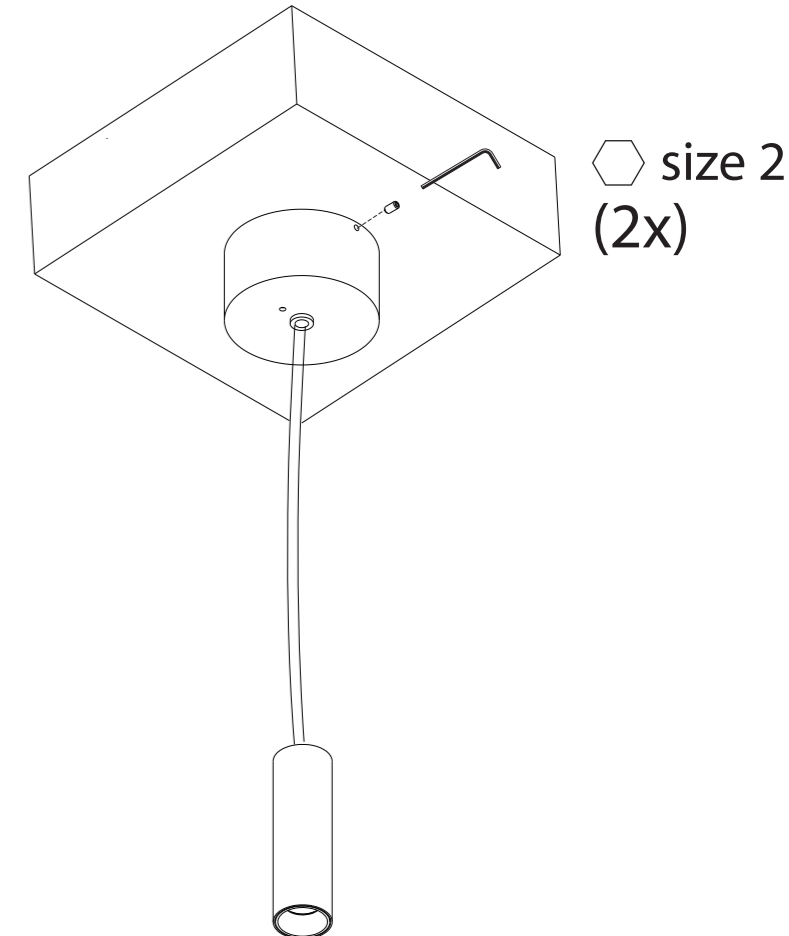
② Mount base on ceiling



③ Adjust cable length & make electrical connection



④ Mount luminaire to base



⑤ Switch on mains power supply

safe distance to object	- 0,1m -
lamptype	LUXEON M (400lm/429lm*)
fitting	NONE
watt	3.82 W (Vf = 10.95V)
voltage	230V AC - 50Hz
symbol	
gear	converter INCLUDED
ip/class	IP20 - class1
application	Interior - ceiling mounted
orientability	not orientable
dimmiability	not dimmable
weight	0.8
color temp	2700K / 3000K*
SDMI	3
CRI	80

INSTALLATION AND MAINTENANCE INSTRUCTIONS IN VIEW OF THE MANUFACTURER'S GUARANTEE.
 1. THE CONNECTION AND TESTING OF THE DEVICES SHOULD ALWAYS BE PERFORMED BY A RECOGNIZED ELECTRICIAN.
 2. THESE LIGHTING DEVICES NEED TO BE INSTALLED, CONNECTED AND TESTED FOLLOWING THE OFFICIAL NATIONAL INSTRUCTION GUIDE FOR ELECTRICAL INSTALLATIONS (BELGIUM, A.R.E.I., GERMANY: DIN VDE 0100 TEIL 559 A2, ... THIS ENUMERATION IS JUST AN INDICATION)
 3. THIS TECHNICAL ENCLOSURE NEEDS TO BE ADDED TO THE GENERAL SALES CONDITION OF THE TAL N.V.
 4. THE ELECTRO TECHNICIAN IS RESPONSIBLE TO USE BALLASTS, TRANSFORMERS, ... WHICH MEET THE VALID CE AND EMC RULES.
 5. ALWAYS REPLACE THE LAMP (-S) WITH UTMOST CAUTIONSNESS. THE LAMP (-S) IS (ARE) VERY FRAGILE.
 6. ATTENTION: NEVER REPLACE THE LAMP WITH BARE HANDS, ALWAYS USE A CLOTH!



ALWAYS DISCONNECT MAINS POWER SUPPLY FROM CONVERTER BEFORE SWITCHING "ON" LED LUMINAIRE TO PREVENT HOT PLUGGING ISSUES



* Use transparant shrink tube to protect textile isolation.